

DART

COMPLETE RANGE OF NEW
GENERATION SECURITY
ACCESSORIES

Life
made
easy



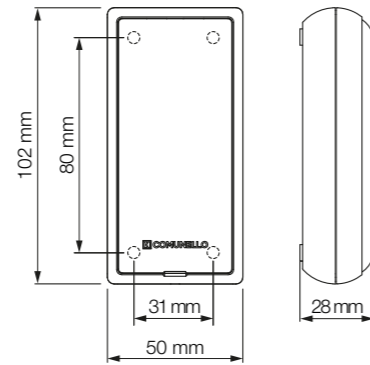
NEW **DART**

Protection
Design
Adjustment
Simplicity
Reliability
Duration
Range
Technology



New generation outdoor photocells

- Protection:** Electronics protected by a preassembled gasket on a dedicated housing.
- Simplicity and ease of installation:** Cable passage arranged both at the bottom and at the rear of the photocell. Large space dedicated to wiring.
- Design:** New attractive design with no visible screws
- Adjustment:** The slotted holes allow adjustment of the position even after installation
- Duration:** High quality plastic material with anti-UV additives and embossed painting
- Sync Version:** The DART SYNC version allows automatic synchronization between transmitter and receiver to avoid interference in systems with multiple pairs of photocells.



Icon	Model	Description	Voltage	IP	Range	Kit	Weight
▶	GDARTSTDN0B00A	Pair of photocells with range up to 15 m	12V / 24V	IP 54	15m	1 Kit	0,15 Kg
▶	GDARTSTDN1B00	Pair of photocells, synchronized version with range up to 20 m	12V / 24V	IP 54	20m	1 Kit	0,15 Kg
▶	GG1DARTSTN0B00A	Pair of photocells, synchronized version with range up to 20 m One Technology	24V	IP 54	15m	1 Kit	0,15 Kg

Fixing with 4 screws
A pre-assembled gasket protects the electronics from any entry of insects or water. This gasket also separates the card from the 4 fixing screws and the cable passage.



Large space dedicated to wiring

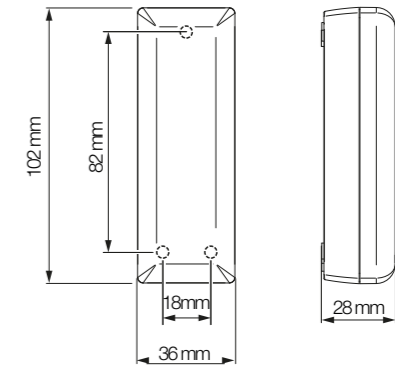
Slotted pre-holes allow adjustment of the position even after installation



Cable passage arranged both at the bottom and at the rear of the photocell.

New generation outdoor photocells, slim version

- Protection:** Electronics protected by a preassembled gasket on a dedicated housing.
- Simplicity and ease of installation:** Cable passage arranged both at the bottom and at the rear of the photocell. Large space dedicated to wiring.
- Design:** New attractive design with no visible screws
- Adjustment:** The slotted holes allow adjustment of the position even after installation
- Duration:** High quality plastic material with anti-UV additives and embossed painting
- Sync Version:** The DART SYNC version allows automatic synchronization between transmitter and receiver to avoid interference in systems with multiple pairs of photocells.



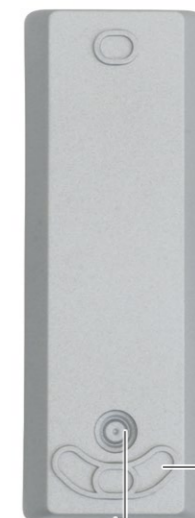
Icon	Model	Description	Voltage	IP	Range	Kit	Weight
▶	GDARTSLMN0B00A	Pair of photocells, slim version, with a range of up to 15 m	12V / 24V	IP 54	15m	1 Kit	0,12 Kg
▶	GDARTSLMN1B00A	Pair of slim photocells, slim and synchronized version, with range up to 20 m	12V / 24V	IP 54	20m	1 Kit	0,12 Kg
▶	GG1DARTSTN0B00A	Pair of slim photocells, slim and synchronized version, with range up to 20 m One Technology	24V	IP 54	15m	1 Kit	0,12 Kg

A pre-assembled gasket protects the electronics from a possible entry of insects or water.



Large space dedicated to wiring

The slotted holes allow adjustment of the position even after installation

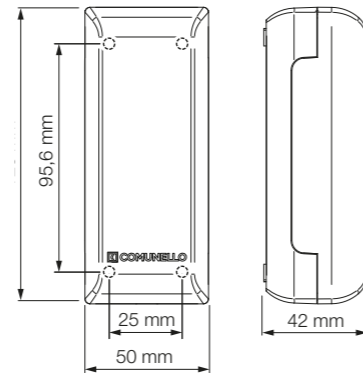


Cable passage arranged both at the bottom and at the rear of the photocell.

DART ADJUSTABLE

New generation outdoor adjustable photocells, painted finish

- Protection:** Electronics protected by a preassembled gasket on a dedicated housing.
- Simplicity and ease of installation:** Cable passage arranged both at the bottom and at the rear of the photocell. Large space dedicated to wiring.
- Design:** New attractive design with no visible screws
- Adjustment:** Transmitter and receiver can rotate 180° on the vertical axis and 40° on the horizontal axis. The slotted holes allow adjustment of the position even after installation
- Duration:** High quality plastic material with anti-UV additives and embossed painting
- Sync Version:** The DART SYNC version allows automatic synchronization between transmitter and receiver to avoid interference in systems with multiple pairs of photocells.



Icon	Code	Description	Power	IP	Range	Kit	Weight
◀	GDARTADJN0B00A	Pair of adjustable photocells with range up to 15 m	12V / 24V	IP 54	15m	1 Kit	0,25 Kg
◀	GDARTADJN1B00A	Pair of adjustable photocells, synchronized version with range up to 20 m	12V / 24V	IP 54	20m	1 Kit	0,25 Kg
◀	G1DARTADN0B00A	Pair of adjustable photocells, synchronized version with range up to 20 m One Technology	24V	IP 54	15m	1 Kit	0,25 Kg

A pre-assembled gasket protects the electronics from any entry of insects or water.

The 4 slotted holes allow adjustment of the position even after installation

Large space dedicated to wiring

Transmitter and receiver can rotate 180° on the vertical axis and 40° on the horizontal axis

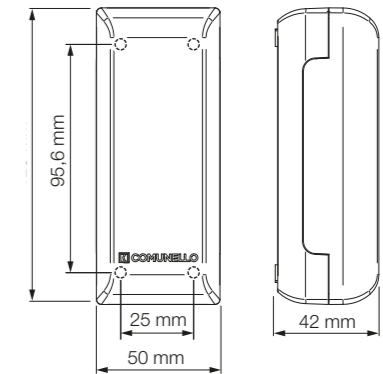


Cable passage arranged both at the bottom and at the rear of the photocell.

DART ADJUSTABLE BATTERY

New generation outdoor battery-powered adjustable photocells, painted finish

- Protection:** Electronics protected by a preassembled gasket on a dedicated housing.
- Simplicity and ease of installation:** Cable passage arranged both at the bottom and at the rear of the photocell. Large space dedicated to wiring.
- Design:** New attractive design with no visible screws
- Adjustment:** Transmitter and receiver can rotate 180° on the vertical axis and 20° on the horizontal axis. The slotted holes allow adjustment of the position even after installation
- Duration:** High quality plastic material with anti-UV additives and embossed painting



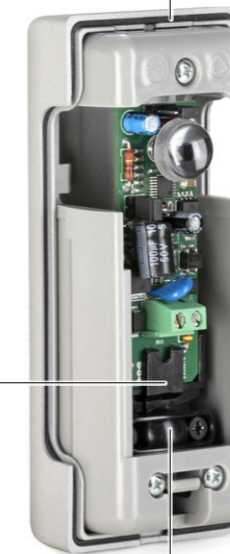
Icon	Code	Description	Power	IP	Range	Kit	Weight
◀	GDARTBTTN0B00A	Pair of battery-operated adjustable photocells with capacity up to 18 m	12V / 24V	IP 54	18m	1 Kit	0,30 kg

A pre-assembled gasket protects the electronics from any entry of insects or water.

The 4 slotted holes allow adjustment of the position even after installation

Large space dedicated to wiring

Transmitter and receiver can rotate 180° on the vertical axis and 40° on the horizontal axis

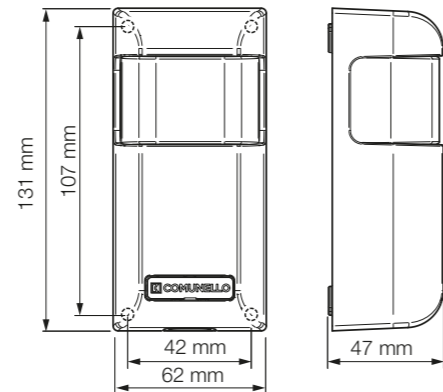


Cable passage arranged both at the bottom and at the rear of the photocell.

DART ADJUSTABLE INDUSTRIAL

Adjustable photocells for industrial gates with a range of up to 30 m

- Protection:** Electronics protected by a preassembled gasket on a dedicated housing.
- Simplicity and ease of installation:** Cable passage arranged both at the bottom and at the rear of the photocell. Large space dedicated to wiring.
- Design:** New attractive design with no visible screws
- Adjustment:** Transmitter and receiver can rotate 180° on the vertical axis and 20° on the horizontal axis
The slotted holes allow adjustment of the position even after installation
- Anti-vandalism:** The structure of the photocell completely in die-cast aluminum guarantees high strength and resistance.



Icon	Model	Description	Voltage	IP	Range	Kit	Weight
◀	GDARTINDN0B00	Pair of adjustable photocells with range up to 30 m	12V / 24V	IP 55	30m	1 Kit	0,60 kg

A pre-assembled gasket protects the electronics from any entry of insects or water.

Structure completely in die-cast aluminum

The 4 slotted holes allow adjustment of the position even after installation

Large space dedicated to wiring

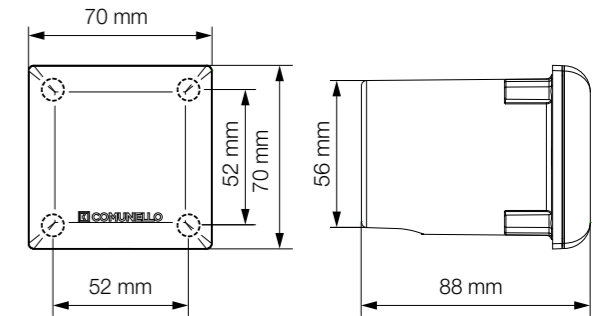
Transmitter and receiver can rotate 180° on the vertical axis and 20° on the horizontal axis

Cable passage arranged both at the bottom and at the rear of the photocell.

DART INSERT

New generation recessed wall photocells

- Protection:** Electronics protected by a preassembled gasket on a dedicated housing.
- Simplicity and ease of installation:** Cable passage arranged both at the bottom and at the rear of the photocell. Large space dedicated to wiring.
- Design:** New attractive design with no visible screws
- Adjustment:** The slotted holes allow adjustment of the position even after installation
- Duration:** High quality plastic material with anti-UV additives and embossed painting



Icon	Model	Description	Voltage	IP	Range	Kit	Weight
◀	GDARTINSN0B00	Pair of recessed wall photocells, adapter bowl included	12V / 24V	IP 54	15m	1 Kit	0,20 kg
◀	G1DARTISN0B00A	Pair of recessed wall photocells, adapter bowl included One Technology	24V	IP 54	15m	1 Kit	0,20 kg

Icon	Model	Description	Quantity	Weight
▶	G-BOX	GBOXUNSTD0B00 Adapter bowl DART INSERT / DART INSERT BUS	20	0,025 kg

Slotted pre-holes allow adjustment of the position even after installation

A pre-assembled gasket protects the electronics from any entry of insects or water. This gasket also separates the card from the 4 fixing screws and the cable passage.

Large space dedicated to wiring

DART COVER



DART COVER

Vandalism protection in die-cast aluminum for:

- DART
- DART SYNC
- DART BUS

COVER VANDAL PROOF	GCVRDTSTD0S00	Anti-vandalism DART photocell covers	1 Kit	0,15 Kg



DART COVER SLIM

Vandalism protection in die-cast aluminum for:

- DART SLIM
- DART SLIM SYNC
- DART SLIM BUS

COVER VANDAL PROOF SLIM	GCVRDSSTD0S00	Anti-vandalism DART SLIM photocell covers	1 Kit	0,15 Kg

COLUMNS

Compatible with: DART, DART SYNC, TACT, TACT RADIO, TACT CARD, INDEX, INDEX EU

Compatible with DART SLIM, DART SLIM SYNC



MAST 50

MAST 100

MAST TWIN

MAST 50
SLIM

MAST 100
SLIM

MAST 50	GMAST005NOG00A
MAST 100	GMAST010NOG00A
MAST 100 TWIN	GMASTT10NOG00A

MAST SLIM 50	GMASTS05NOG00A
MAST SLIM 100	GMASTS10NOG00A

OFFICIAL DEALER:



AUTOMATION FOR GATES, DOORS AND BARRIERS

FRATELLI COMUNELLO S.P.A.

HEADQUARTERS

Via Zarpellon, 33

36027 San Giuseppe di Cassola, Vicenza, Italy

Tel. +39 0424 585111 Fax +39 0424 533417

info@comunello.it www.comunello.com

REGISTERED OFFICE

Via Cassola,64 - C.P.79

36027 Rosà, Vicenza, Italy

Tel. +39 0424 585111 Fax +39 0424 533417

info@comunello.it www.comunello.com