

## DS-1227ZJ-DM44

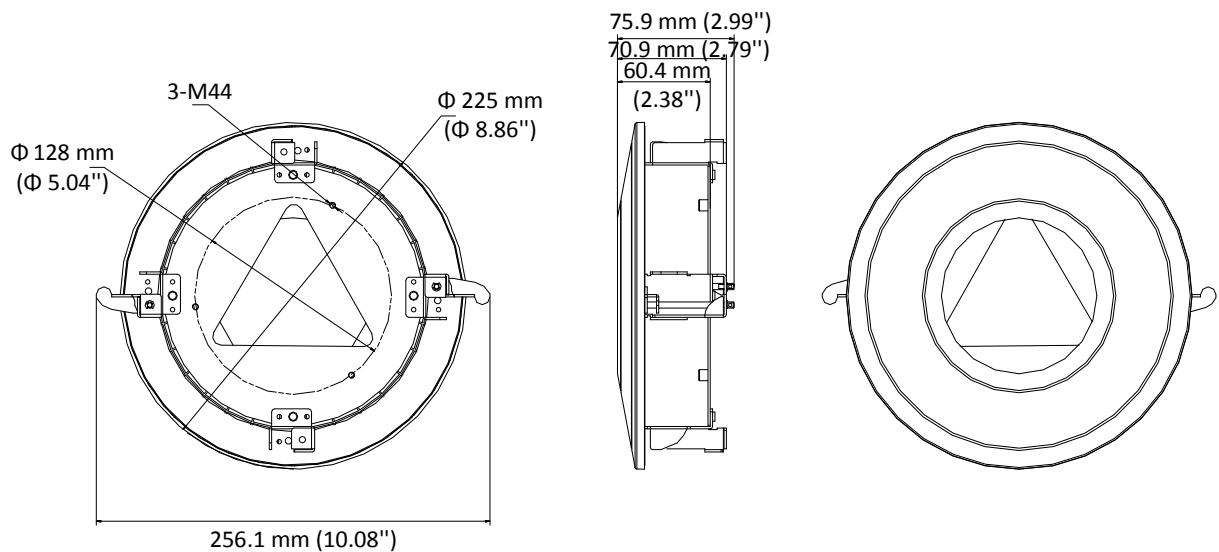
### In-ceiling Mount



#### Feature

- Steel and Plastic materials with surface spray treatment
- Adopts magnetism design to install the camera
- Saving spaces

#### Dimension



#### Available Model

DS-1227ZJ-DM44

#### Parameter

Model	DS-1227ZJ-DM44
Parameters	In-ceiling Mount
Appearance	Hikvision White
Material	SECC, PC&ABS
Dimension	$\Phi 256.1 \text{ mm} \times 75.9 \text{ mm}$ ( $\Phi 10.08" \times 2.99"$ )
Weight	Approx. 608.5 g (1.34 lb.)

#### Note

- The mount should be installed on a flat surface.
- Waterproof rubber is necessary for the outdoor application.
- The wall should be capable of supporting at least 3 times as much as the total weight of the camera and the mount.
- The maximum load capacity of the mount is 4.5 kg (9.92 lb.).